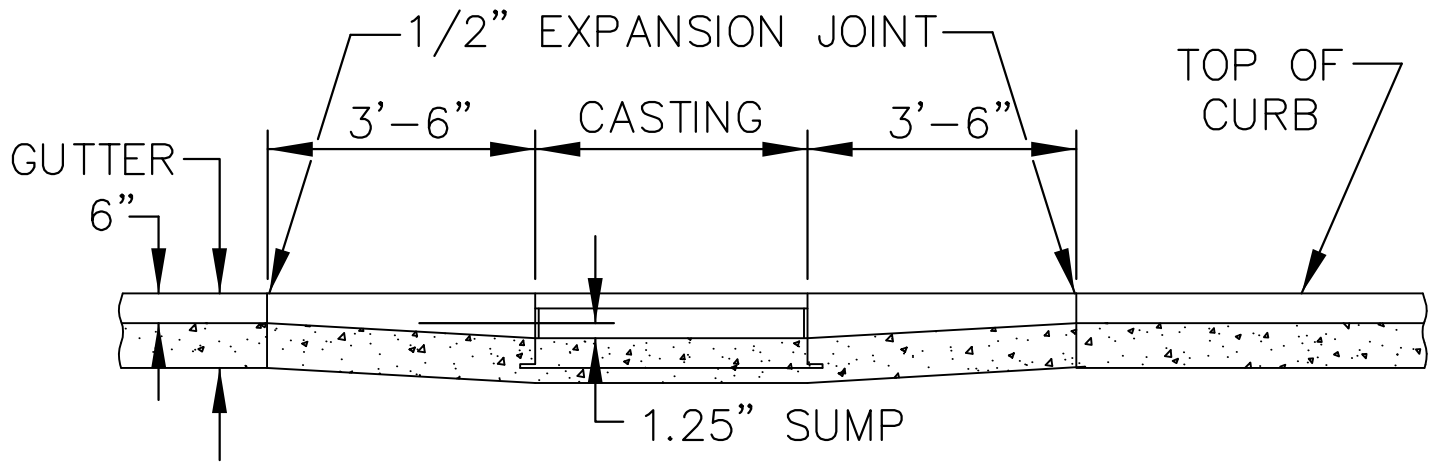


(A) TAPER CONC. CURB & GUTTER  
TO MATCH CASTING

**PLAN VIEW**



**SECTION**

APPROVED JANUARY 1, 2018

*J. B. Cain*

CITY ENGINEER REG 23110

**CATCH BASIN  
INSTALLATION FOR  
B618 CURB & GUTTER**

City of **Golden Valley**

**GV-STRT-070**