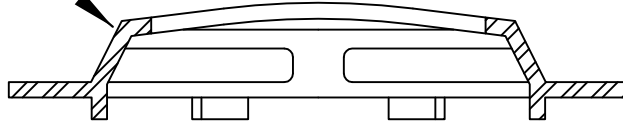
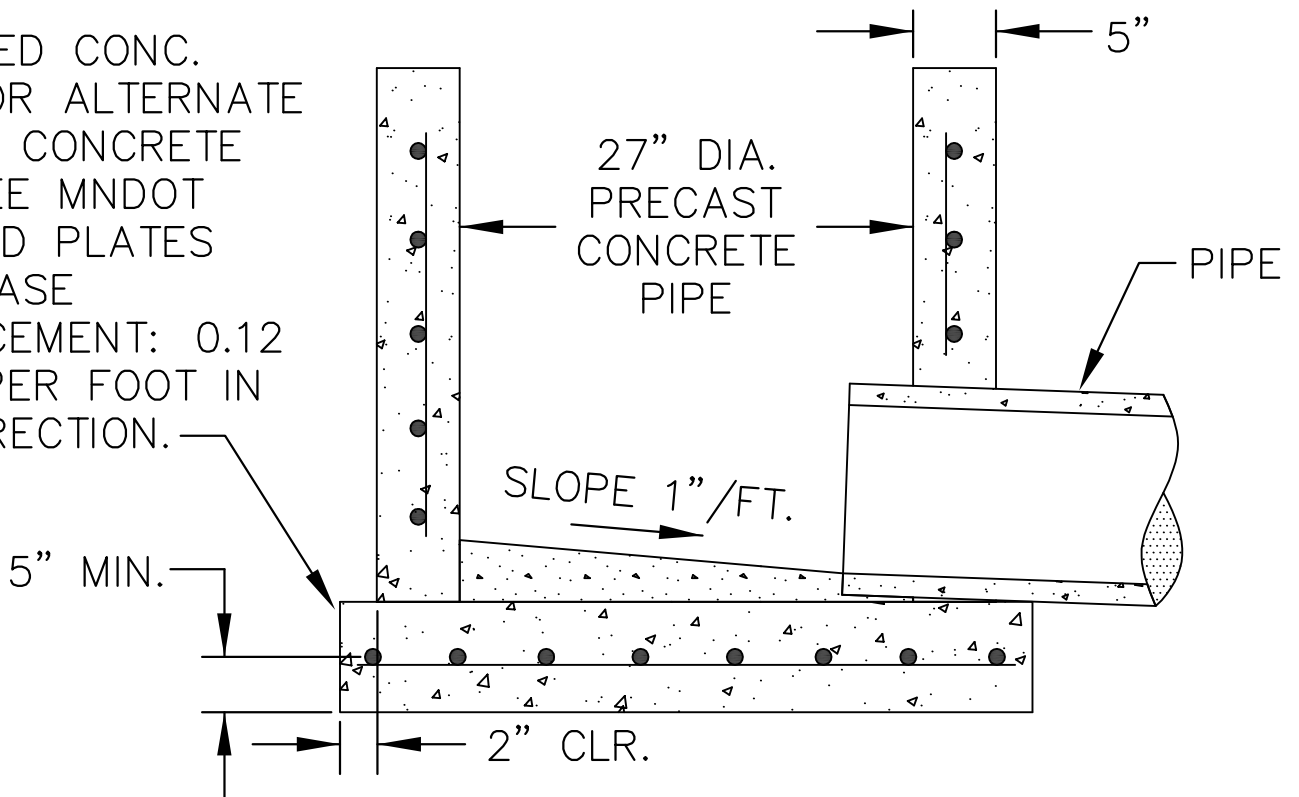


NEENAH R-4342 DITCH  
GRATE, STOOL TYPE



8" POURED CONC.  
BASE. FOR ALTERNATE  
PRECAST CONCRETE  
BASE, SEE MNDOT  
STANDARD PLATES  
INDEX. BASE  
REINFORCEMENT: 0.12  
SQ. IN. PER FOOT IN  
EACH DIRECTION.



APPROVED JANUARY 1, 2018

CITY ENGINEER REG 23110

**DRAINAGE STRUCTURE,  
DESIGN MEDIAN DRAIN**

City of  
**Golden Valley**

**GV-ST-040**