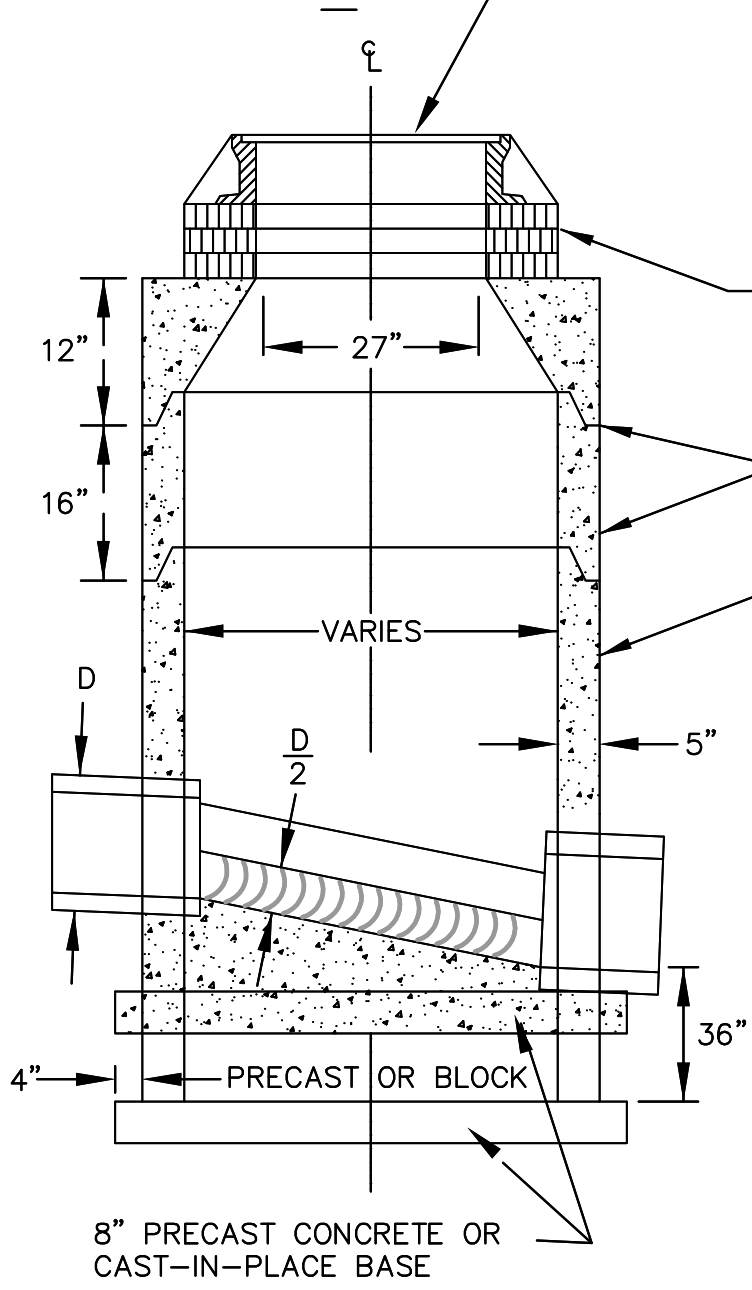
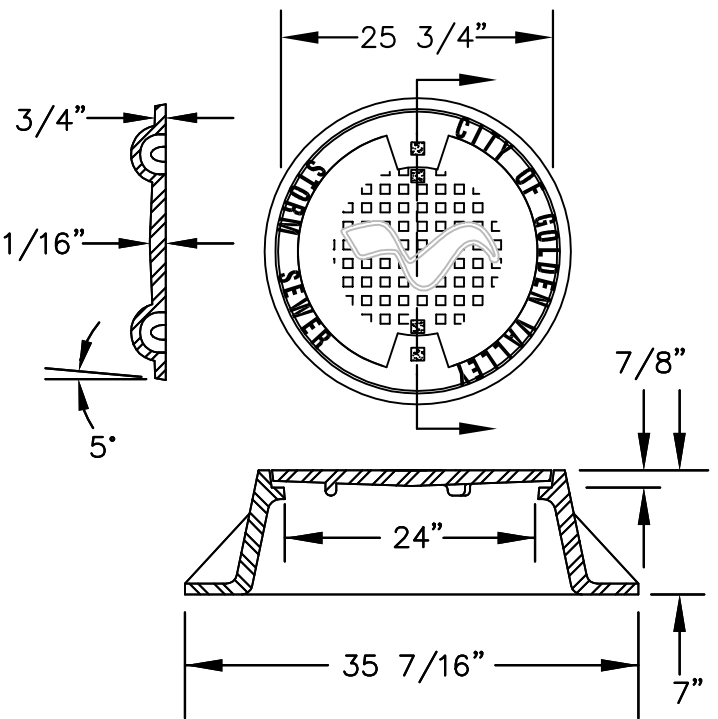


NEENAH R-1733 SERIES SOLID COVER (SEE RIGHT), ESS BROS. 301, OR APPROVED EQUAL



27" HDPE PLASTIC ADJUSTING RINGS (MIN. 2) SEE NOTE:

O-RINGS ON JOINTS

PRECAST OR BLOCK DESIGN 4020

NOTE: WHERE PVC PIPE IS USED THE CONTRACTOR SHALL FURNISH MANHOLE WITH WATER TIGHT BOOT.

NOTE: DASHED LINE DENOTES SUMP, IF SPECIFIED, IN MANHOLE

NOTE:  
 PLASTIC HDPE ADJUSTING RINGS (MIN. 2)  
 USE A COMBINATION OF 2", 6" AND 12" RINGS TO ACHIEVE NEEDED HEIGHT.  
 INCLUDE MIN. 2-2" RING IMMEDIATELY UNDER THE CASTING. RINGS SEALED W/BUTYL CAULK. SEE GV-SS-010

8" PRECAST CONCRETE OR CAST-IN-PLACE BASE

APPROVED JANUARY 1, 2018

CITY ENGINEER REG 23110

**STANDARD STORM  
 SEWER MANHOLE DES  
 4020 WITH CASTING &  
 COVER**

City of **Golden Valley**  
**GV-ST-010**