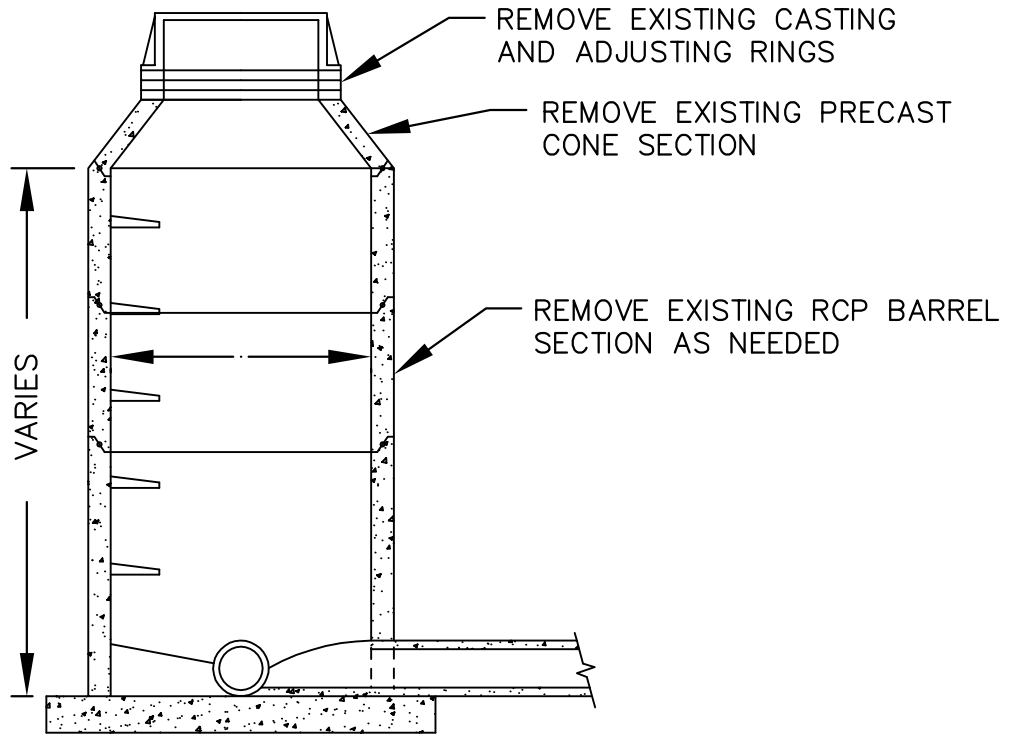


(EXISTING)



REMOVE EXISTING CASTING AND ADJUSTING RINGS

REMOVE EXISTING PRECAST CONE SECTION

REMOVE EXISTING RCP BARREL SECTION AS NEEDED

VARIES

FINISHED GRADE

RE-INSTALL EXISTING CASTING

REPLACE COVER WITH NEENAH 1733 SERIES SOLID COVER, ESS BROS. 301, WITH GOLDEN VALLEY LOGO, OR APPROVED EQUAL. SEE GV-SS-020

(RECONSTRUCTED)

PLASTIC HDPE ADJUSTING RINGS (MIN. 2) SEE NOTE:

PRE-CAST CONCRETE SLAB REINFORCED FOR STREET LOADING WITH, 27" OPENING

PLACE SLAB ON 1/2" MORTAR BED AND TROWEL JOINT SMOOTH

EACH NEW BARREL JOINT SHALL BE SEALED WITH INFI-SHIELD 6" EXTERNAL RUBBER SEAL WRAP OR APPROVED EQUAL.

RCP PIPE SAWED TO LENGTH

RUBBER GASKET AT ALL JOINTS

VARIES

PLASTIC HDPE ADJUSTING RINGS (MIN. 2)

EXISTING RCP BARREL SECTION

USE A COMBINATION OF 2", 6" AND 12" RINGS TO ACHIEVE NEEDED HEIGHT. INCLUDE MIN. 2-2" RING IMMEDIATELY UNDER THE CASTING. RINGS SEALED W/BUTYL CAULK. SEE GV-SS-010

NOTE: MANHOLES SHOULD NOT HAVE STEPS UNLESS THEY EXCEED 15' IN DEPTH.

APPROVED JANUARY 1, 2018

CITY ENGINEER REG 23110

SANITARY SEWER MANHOLE RECONSTRUCTION

City of Golden Valley

GV-SS-120