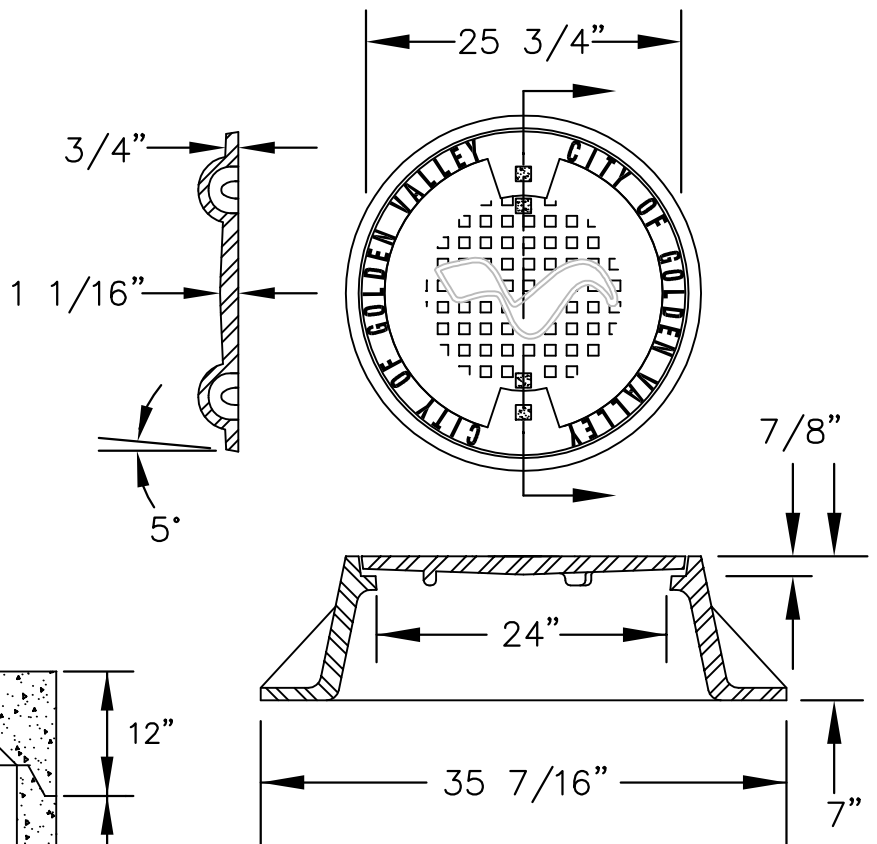
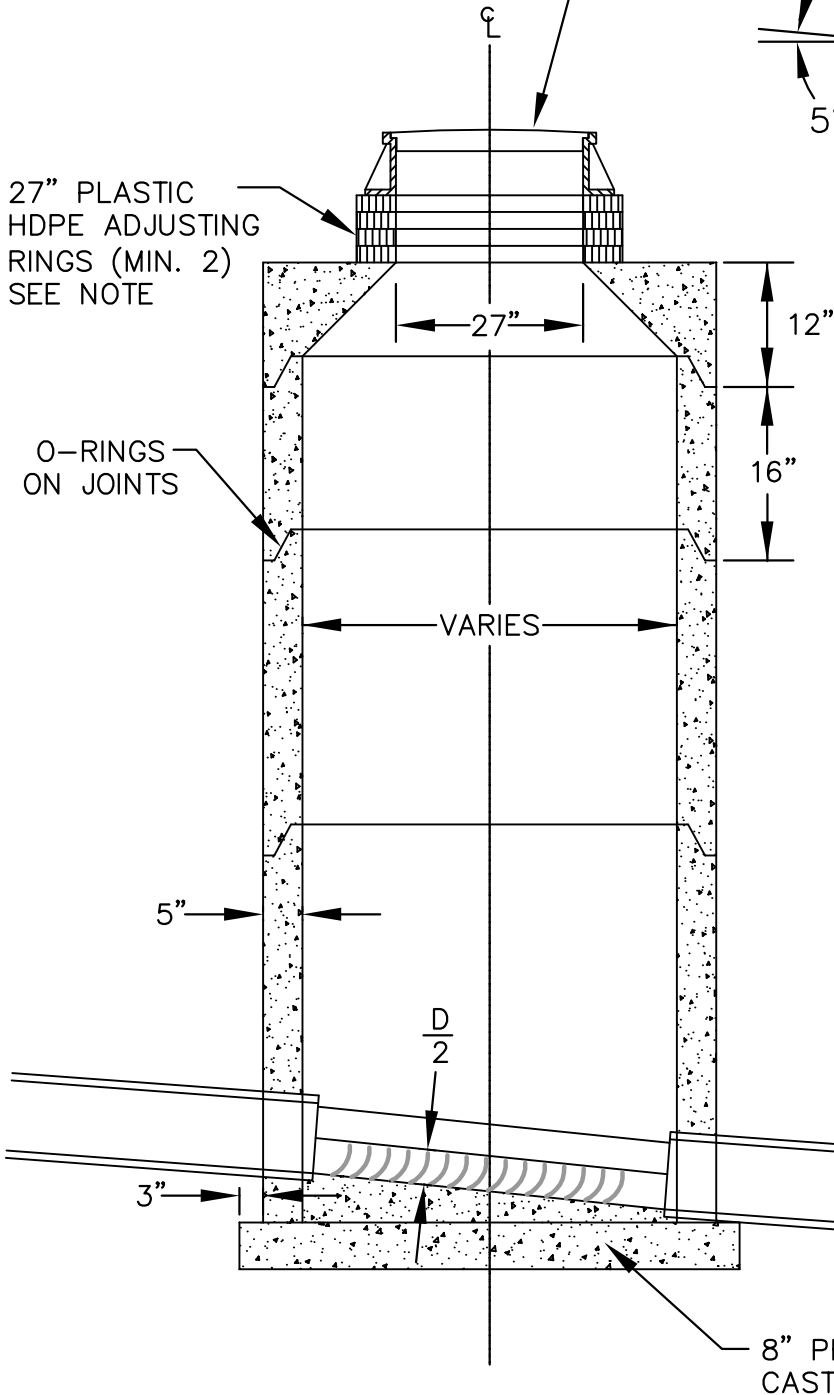


NEENAH R-1733 SERIES SOLID COVER (SEE RIGHT), ESS BROS. 301, OR APPROVED EQUAL



27" PLASTIC HDPE ADJUSTING RINGS (MIN. 2) SEE NOTE

O-RINGS ON JOINTS



NOTE:

WHERE PVC PIPE IS USED THE MANHOLE SHALL BE FURNISHED WITH WATER TIGHT BOOT.

NO STEPS SHALL BE INSTALLED ON MANHOLES LESS THAN 15 FT. DEEP. OVER 15 FT. NON-CORROSIVE STEPS SHALL BE INSTALLED.

PLASTIC HDPE ADJUSTING RINGS (MIN. 2)
USE A COMBINATION OF 2", 6" AND 12" RINGS TO ACHIEVE NEEDED HEIGHT. INCLUDE MIN. 2-2" RING IMMEDIATELY UNDER THE CASTING. RINGS SEALED W/BUTYL CAULK. SEE GV-SS-010

APPROVED JANUARY 1, 2018

CITY ENGINEER REG 23110

**STANDARD SANITARY
SEWER MANHOLE WITH
CASTING & COVER**

City of Golden Valley

GV-SS-020