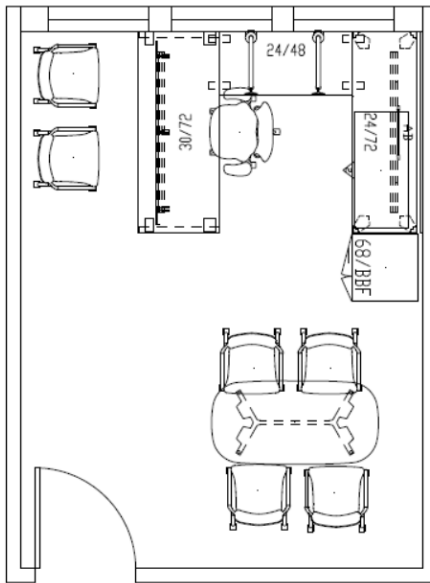


02 SPACE STANDARDS

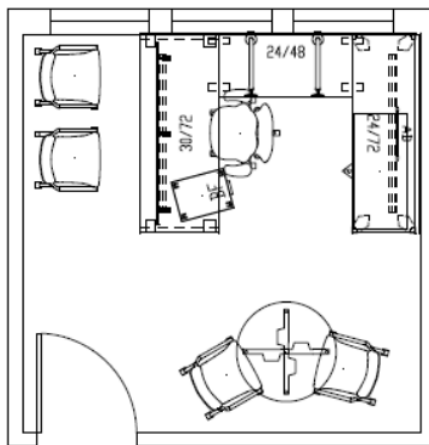
12' x 16' Typical Office (192 SF)



- 36" x 72" table with modesty panel
- 24" x 48" bridge surface to the side
- 24" x 72" back surface with 2-drawer lateral file below. Closed overheads, tasklight, and tackboard above
- 24" x 24" x 68" high wardrobe cabinet with box/box/file and bookcase
- 30" x 60" oval conference table
- Six guest chairs
- Mirra task chair



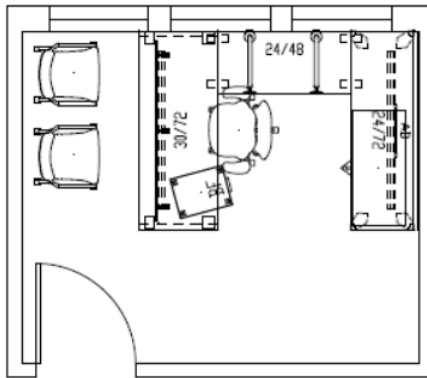
12' x 12' Typical Office (144 SF)



- 36" x 72" table with modesty panel
- 24" x 48" bridge surface to the side
- 24" x 72" back surface with 2-drawer lateral file below. Closed overheads, tasklight, and tackboard above
- Mobile box/file pedestal with cushion top
- 36" diameter conference table
- Four guest chairs
- Mirra task chair



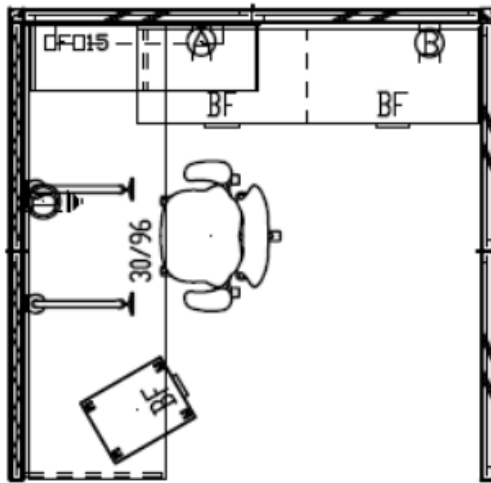
12' x 10' Typical Office (120 SF)



- 36" x 72" table with modesty panel
- 24" x 48" bridge surface to the side
- 24" x 72" back surface with 2-drawer lateral file below. Closed overheads, tasklight, and tackboard above
- Mobile box/file pedestal with cushion top
- Two guest chairs
- Mirra task chair



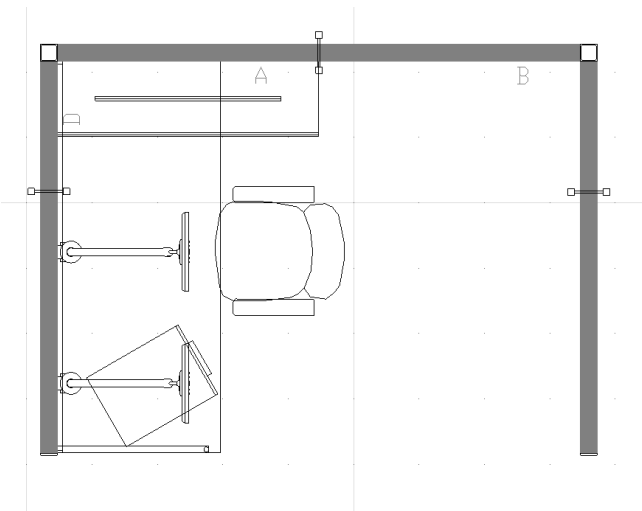
8' x 8' Typical (64 SF) Standard



- 42" high Canvas frames w/ tackable tiles in front
- 57" high Canvas frames w/ tackable tiles side and back
- 2 – 22" high x 48" wide marker board tiles to back
- 30" x 96" work surface with mobile box/file pedestal with cushion below
- 72" x 20" low credenza with two 36" box/file cabinets
- 48" open cabinet above with task light
- 2 Flo monitor arms
- Mirra task chair



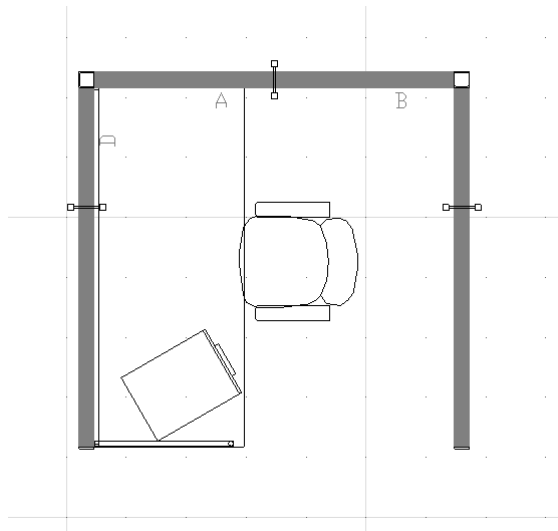
6' x 8' Typical (48 SF) Hotel Station



- 42" high Canvas frames w/ tackable tiles in front
- 57" high Canvas frames w/ tackable tiles side and back
- 1 – 22" high x 48" wide marker board tiles to back
- 30" x 96" work surface with mobile box/file pedestal with cushion below
- Mirra task chair



6' x 6' Typical (36 SF) Hotel Station



- 42" high Canvas frames w/ tackable tiles in front
- 57" high Canvas frames w/ tackable tiles side and back
- 1 – 22" high x 48" wide marker board tiles to back
- 30" x 96" work surface with mobile box/file pedestal with cushion below

