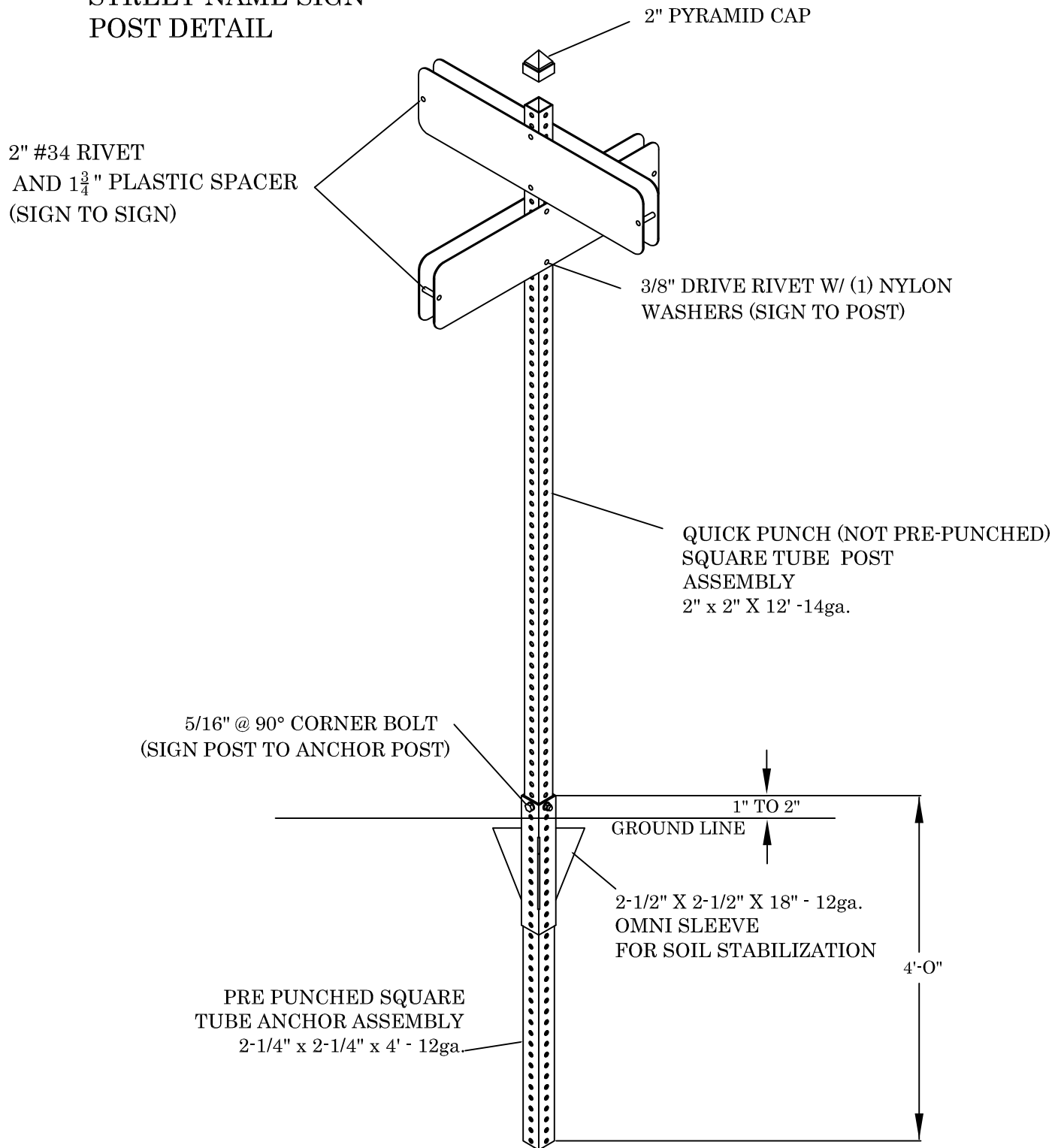


**QUICK PUNCH  
SQUARE TUBE  
STREET NAME SIGN  
POST DETAIL**



APPROVED JANUARY 1, 2018

CITY ENGINEER REG 23110

**QUICK PUNCH SQUARE  
TUBE STREET NAME  
SIGN POST**

City of  
**Golden Valley**  
GV-STRT-220